

## MAGNETIC TRANSDUCER

Customer	
Customer P/O	
Customer Spec. No.	F/PCW04A F/PCW04B
Bestar Model Name	BMT1201H7.5SF-01(02)(03)
Product No.	010504 010500 010505
Issue No.	BS/TET01.005A
Issue Date	03/07/04

### Approval:

- 1.Characteristic
- 2.Dimension
- 3.Environmental Test
- 4.Packing

Prepared	Chec.	Appr.	Revision		
			No.	Date	Contents
			0		
			1		
			2		
			3		



BESTAR ELECTRONICS INDUSTRY CO.,LTD  
Site B, TianAn Industry, New District, ChangZhou ,P.R.China  
Tel:86-519-5103228  
Fax:86-519-5131010  
Http:www.be-star.com  
E-Mail:bestarco@pub.cz.jsinfo.net

## BMT1201H7.5SF-01

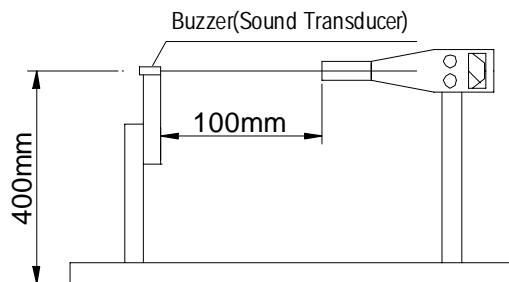


### 1. Characteristics:

#### ★Electrical and Mechanical Characteristics

No.	Item	Characteristic		
		BMT1201H7.5SF-01	BMT1201H7.5SF-02	BMT1201H7.5SF-03
	type	BMT1201H7.5SF-01	BMT1201H7.5SF-02	BMT1201H7.5SF-03
1	Operating Voltage	1-2V		
2	Rated voltage	1.5V		
3	a)Rated Current	max.70mA		max.10mA
4	Coil Resistance	6.5ohm ± 1		42ohm ± 6
5	b)Coil Impedence	16ohm	22ohm	120ohm
6	a)Sound Output(SPL) at 10cm	min.80dB	min.85dB	min.70dB
7	Resonant Frequency	2048Hz	2731Hz	2048Hz
8	Operating Temperature	-25...+70 ° C		
9	Storage Temperature	-30...+85 ° C		
10	Weight	2g		
a)Rated applying rated voltage (2048Hz,50 %duty,square wave)				
b)Value applying (2048Hz, sine wave,measuring current 60 μ A)				

### Standard Output Measurement Setup

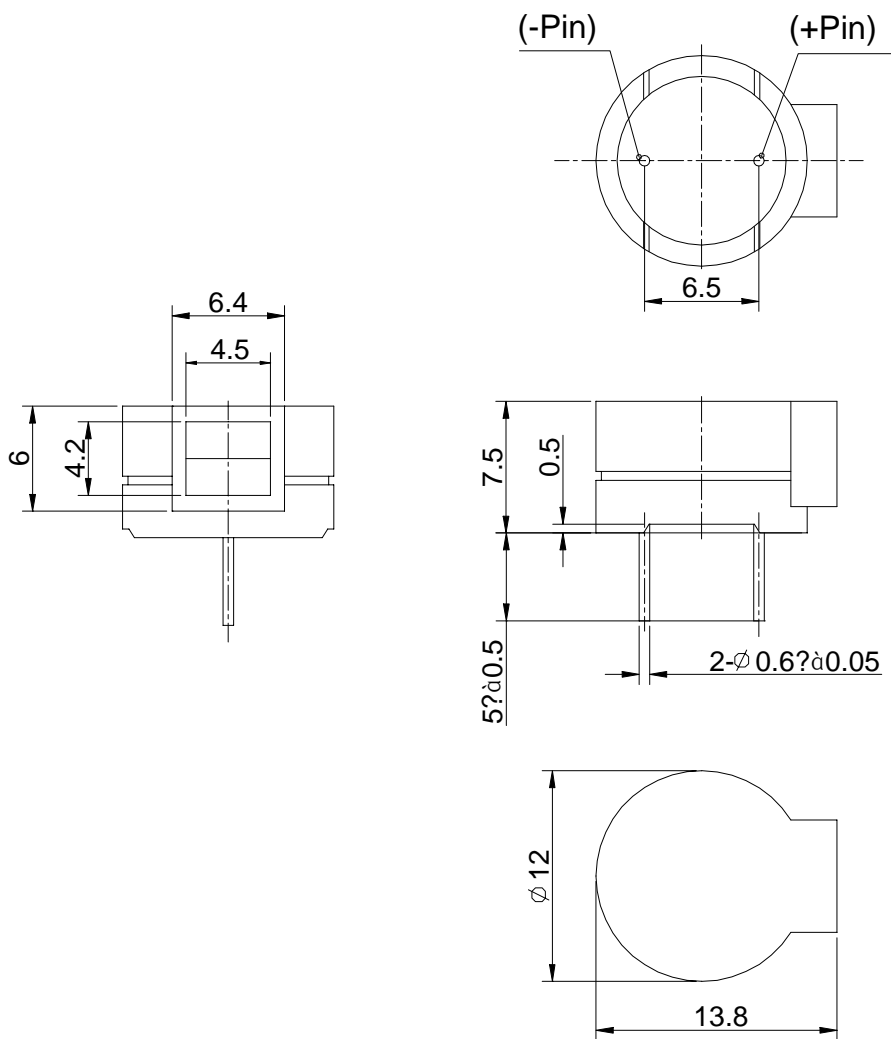


DIS.		DATE		Page:1 of 4	BMT1201H7.5SF-01
CHEC.		DATE		3rd angle projection	
APPR.		DATE			Transducer
 <b>BESTAR ELECTRONICS INDUSTRY CO.,LTD</b> TianAn Industry Park 4/F,Site B ChangZhou New District E-Mail:bestarco@ pub.cz.jsinfo.net Http:www.be-star.com					DRG NO BS/TET01.005A

This print and information there in are proprietary to Bestar Electronics Industry Co., Ltd. and shall not be used in whole or in part without its written content.

# BMT1201H7.5SF-01

2.Dimension:



Tolerance:  $\pm 0.2$   
Unit:mm

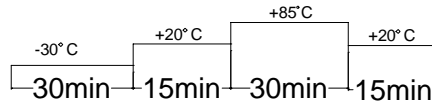
This print and information there in are proprietary to Bestar Electronics Industry Co., Ltd. and shall not be used in whole or in part without its written content

DIS.		DATE		Page:2 of 4	BMT-1201H7.5SF-01
CHEC.		DATE		3rd angle projection	Transducer
APPR.		DATE			
 <b>BESTAR ELECTRONICS INDUSTRY CO.,LTD</b> TianAn Industry Park 4/F,Site B ChangZhou New District E-Mail:bestarco@ pub.cz.jsinfo.net Http:www.be-star.com					DRG NO BS/TET01.005A

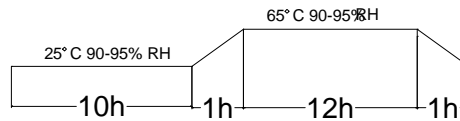
# BMT1201H7.5SF-01

## 3. Environmental Test

- 3.1 high temperature test
  - Temperature +85°C
  - Duration 96hrs
- 3.2 low temperature test
  - Temperature -30°C
  - Duration 96hrs
- 3.3 life test in normal temperature
  - Power supply rated voltage
  - Duration 1000hrs
- 3.4 temperature cycle test
  - Cycles 5



- 3.5 Humidity cycle test
  - cycles 5



all these tests above should be measured after leaving normal temperature for 2hrs.

- 3.6 Drop test
  - Height 70cm
  - (to 10mm thickness woodenboard)
  - Direction 3
- 3.7 Resistance against solder heat
  - Temperature of soldering pot 260°C ± 5
  - Duration 10sec

Notice: All specification must be satisfied in this condition.

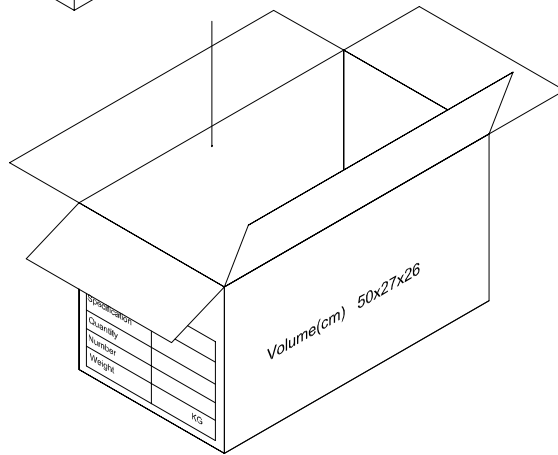
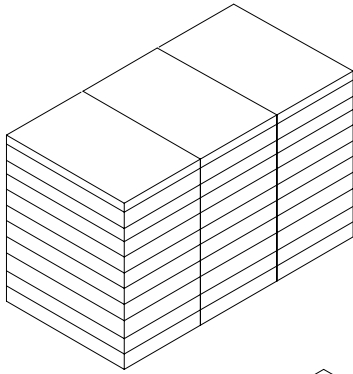
This print and information there in are proprietary to Bestar Electronics Industry Co., Ltd. and shall not be used in whole or in part without its written content

DIS.		DATE		Page: 3 of 4	BMT1201H7.5SF-01
CHEC.		DATE		3rd angle projection	
APPR.		DATE			Transducer
 <b>BESTAR ELECTRONICS INDUSTRY CO.,LTD</b> TianAn Industry Park 4/F,Site B ChangZhou New District E-Mail:bestarco@ pub.cz.jsinfo.net Http:www.be-star.com					DRG NO BS/TET01.005A

This print and information there in are proprietary to Bestar Electronics Industry Co., Ltd. and shall not be used in whole or in part without its written content

## BMT1201H7.5SF-01

### 4.Packing



**Remark:**

- 1)100pcs/tray
- 2)30tray/carton
- 3)3000 pcs/carton in total
- 4)carton size 50x27x26cm

DIS.		DATE		Page: 4 of 4 3rd angle projection	BMT1201H7.5SF-01
CHEC.		DATE			Transducer
APPR.		DATE			DRG NO BS/TET01.005A
 <b>BESTAR ELECTRONICS INDUSTRY CO.,LTD</b> TianAn Industry Park 4/F,Site B ChangZhou New District E-Mail:bestarco@ pub.cz.jsinfo.net Http:www.be-star.com					