

DYNAMIC SPEAKER

Customer	
Customer P/O	
BeStar Model Name	BLS50-2B-08H17
Product No.	123211
Issue No.	BS/TES01.343A
Issue Date	03/10/20

Approval:

- 1.Characteristic
- 2.Dimension
- 3.Environmental Test
- 4.Appearance
- 5.Packing



BESTAR ELECTRONICS INDUSTRY CO.,LTD
TianAn Industry Park4/F,Site B ChangZhou New District
Tel:86-519-5103228
Fax:86-519-5131010
E-Mail:wu@be-star.com
Http:www.be-star.com

BLS50-2B-08H17

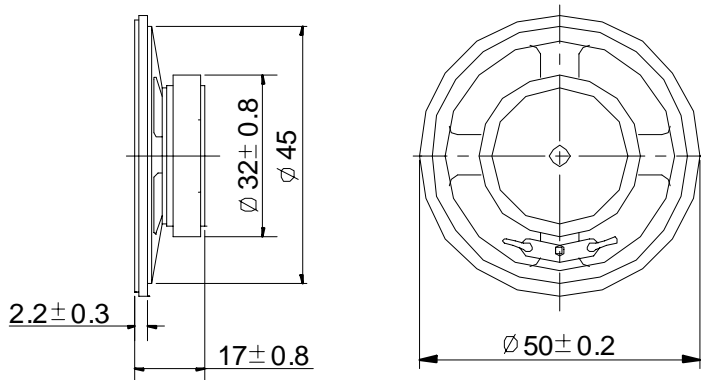


1. Characteristic

★Electrical and Mechanical Characteristics

No.	Item	Specifications
1	Rated Input	0.25W
2	Maximum Input	0.5W
3	Resonance Frequency(f ₀)	550Hz ±20%
4	Frequency Response	f ₀ ...3500Hz
5	Impedance	8 ohm ± 15% at 1kHz/1V
6	Output SPL	84 ± 3dB (1m/1W)
7	Polarity	Positive voltage to (+), the diaphragm move forward.
8	Buzzes & Rattles	Must be normal at sine wave 2.34V
9	Operating Temperature	-20...+60 °C

2.Dimension



Unit:mm

DIS.		DATE		Page:1 of 3	BLS50-2B-08H17
CHEC.		DATE		3rd angle projection	LoudSpeaker
APPR.		DATE			
 BESTAR ELECTRONICS INDUSTRY CO.,LTD TianAn Industry Park 4/F,Site B ChangZhou New District E-Mail:bestarco@ pub.cz.jsinfo.net Http:www.be-star.com					DRG NO BS/TES01.343A

This print and information there in are proprietary to Bestar Electronics Industry Co., Ltd. and shall not be used in whole or in part without its written content

This print and information there in are proprietary to Bestar Electronics Industry Co., Ltd. and shall not be used in whole or in part without its written content

BLS50-2B-08H17

3.Environmental Test

3.1 Load Test

Power input 0.25W, pink noise
Duration 24hrs

3.2 Heat Test

Temperature $+60 \pm 2^\circ \text{C}$
Duration 16hrs

3.3 Cold Test

Temperature $-20 \pm 2^\circ \text{C}$
Duration 2hrs

3.4 Moisture Test

Temperature $+40 \pm 2^\circ \text{C}$
Humidity 90%-95%RH
Duration 48hrs

Speakers can be inspected after leaving in normal temperature for 2hrs. After each test, all electrical and acoustic characteristics should be satisfied with the specification.

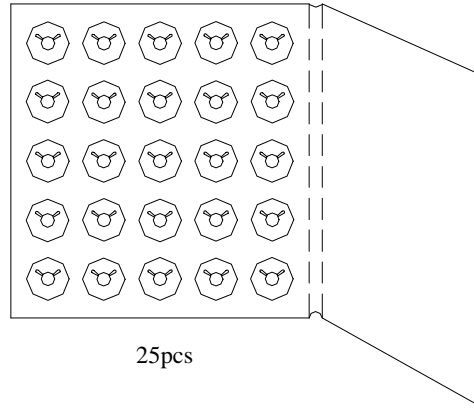
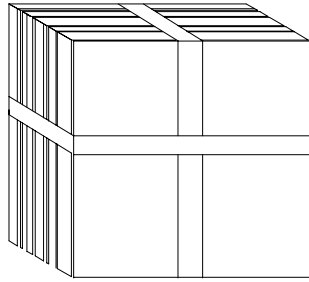
4.Appearance

Appearance: The speaker should not exist any obstacle to normal operation: damage, crack, rust and distortion etc.

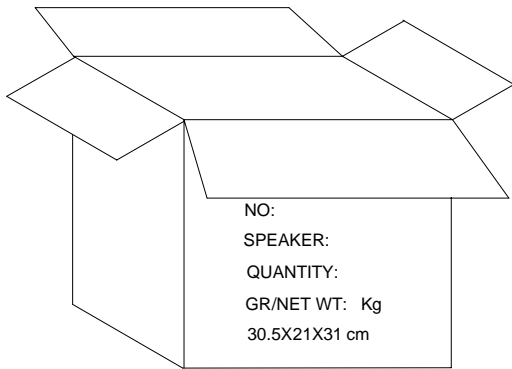
DIS.		DATE		Page:2 of 3 3rd angle projection	BLS50-2B-08H17
CHEC.		DATE			
APPR.		DATE			LoudSpeaker
 BESTAR ELECTRONICS INDUSTRY CO.,LTD TianAn Industry Park 4/F, Site B ChangZhou New District E-Mail:bestarco@ pub.cz.jsinfo.net Http:www.be-star.com					DRG NO BS/TES01.343A

BLS50-2B-08H17

5.Packing



25pcs



NO:
SPEAKER:
QUANTITY:
GR/NET WT: Kg
30.5X21X31 cm

Remark:

7pcs cardboard per carton,
175pcs per carton,
1pc cardboard 1pc clapboard,
2pcs covers percarton.

4pcs cardboard a bundle and 3pcs
cardboard for another bundle. packing
cardboard alternatively not in the same
direction.

This print and information there in are proprietary to Bestar Electronics Industry Co., Ltd. and shall not be used in whole or in part without its written content

DIS.		DATE		Page:3 of 3	BLS50-2B-08H17
CHEC.		DATE		3rd angle projection	LoudSpeaker
APPR.		DATE			DRG NO BS/TES01.343A
 BESTAR ELECTRONICS INDUSTRY CO.,LTD TianAn Industry Park 4/F,Site B ChangZhou New District E-Mail:bestarco@ pub.cz.jsinfo.net Htp:www.be-star.com					