

DYNAMIC TRANSDUCER

Customer	
Customer P/O	
BeStar Model Name	BDT-2308
Product No.	060100
Issue No.	BS/TET01.061A
Issue Date	02/04/02

Approval :

- 1.Ordering Information
- 2.Technical Terms
- 3.Drawing
- 4.Reliability Test
- 5.Packing



BESTAR ELECTRONICS INDUSTRY CO.,LTD
TianAn Industry Park4/F,Site B ChangZhou New District
Tel:86-519-5103228
Fax:86-519-5131010
E-Mail:wu@be-star.com
Http:www.be-star.com

BDT-2308

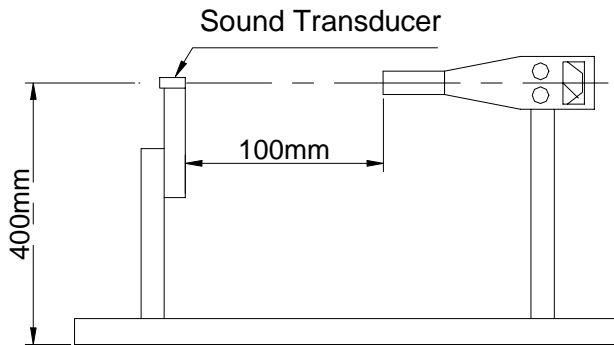
1. Ordering Information

BDT-2308
 BDT: BeSter Dynamic Transducer
 2308: 23-Diameter 8-Rated Impedance

2. Technical Terms

No.	Item	Specifications
1	Rated Impedance	8± 20%ohm
2	Rated(Max.)Power	0.08(0.15)W
3	Sound Output at 10cm,3Vp-p1KHz	Min.73dB
4	Resonance Frequency	1500± 200Hz
5	Rated Freq.Range	500~4000 Hz
6	Operating Temp.	-20...+60° C
7	Storage Temp.	-30...+70° C
8	Weight	3g

Standard Output Measurement Setup

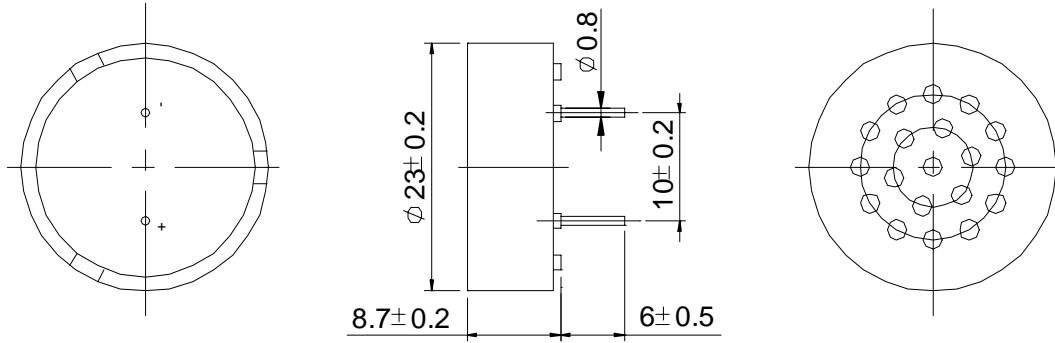


This print and information therein are proprietary to Bestar Electronics Industry Co., Ltd. and shall not be used in whole or in part without its written content

DIS.		DATE		Page:1 of 4	BDT-2308
CHEC.		DATE		3rd angle projection	Transducer
APPR.		DATE			DRG NO BS/TET01.061A
 BESTAR ELECTRONICS INDUSTRY CO.,LTD TianAn Industry Park 4/F,Site B ChangZhou New District E-Mail:bestarco@ pub.cz.jsinfo.net Htp:www.be-star.com					

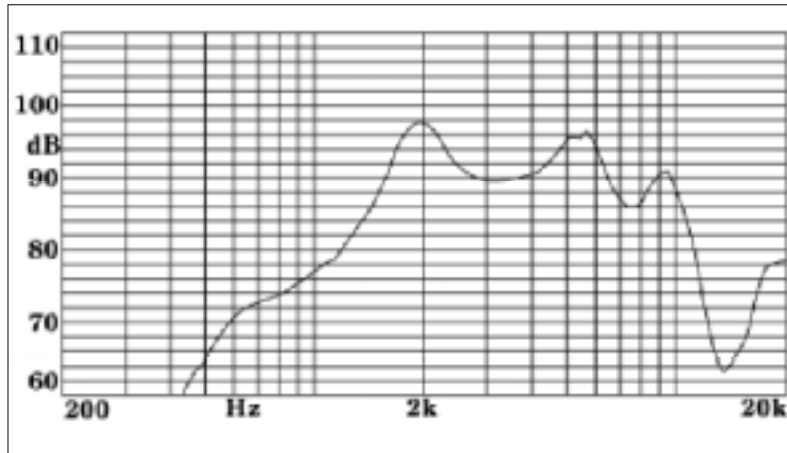
BDT-2308

3.Drawing



Unit:mm

Frequency Response



This print and information therein are proprietary to Bestar Electronics Industry Co., Ltd. and shall not be used in whole or in part without its written consent

DIS.		DATE		Page:2 of 4	BDT-2308
CHEC.		DATE		3rd angle projection	Transducer
APPR.		DATE			
 BESTAR ELECTRONICS INDUSTRY CO.,LTD TianAn Industry Park 4/F,Site B ChangZhou New District E-Mail:bestarco@ pub.cz.jsinfo.net Http:www.be-star.com				DRG NO BS/TET01.061A	

BDT-2308

4. Reliability Test

4.1 high temperature test

Temperature +70° C
Duration 96hrs

4.2 low temperature test

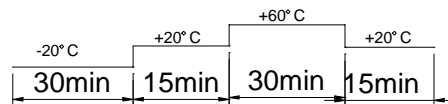
Temperature -30° C
Duration 96hrs

4.3 Life test in normal temperature

Power supply Rated voltage
Duration 1000hrs

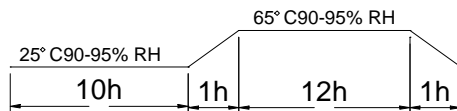
4.4 temperature cycle test

Cycles 5



4.5 Humidity cycle test

Cycles 5



All these tests above should be measured after leaving normal temperature for 2hrs.

4.6 Drop test

Height 70cm
(to 10mm thickness woodenboard)
Direction 3

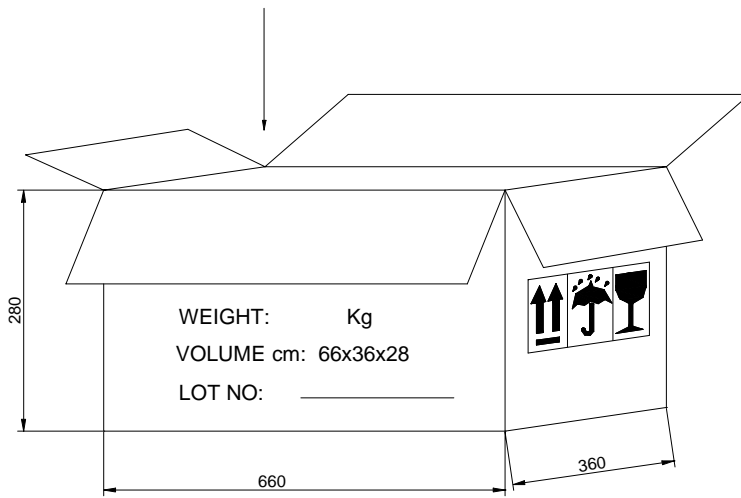
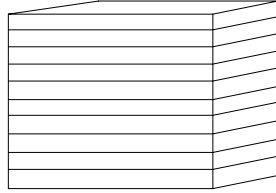
Notice: All specification must be satisfied in this condition.

This print and information therein are proprietary to Bestar Electronics Industry Co., Ltd. and shall not be used in whole or in part without its written content

DIS.		DATE		Page:3 of 4	BDT-2308
CHEC.		DATE		3rd angle projection	Transducer
APPR.		DATE			
 BESTAR ELECTRONICS INDUSTRY CO.,LTD TianAn Industry Park 4/F,Site B ChangZhou New District E-Mail:bestarco@ pub.cz.jsinfo.net Http:www.be-star.com				DRG NO BS/TET01.061A	

BDT-2308

5.Packing



Remark:

- 1) 50pcs/tray
- 2) 40tray/carton
- 3) 2000 pcs/carton in total
- 4) carton size 66x36x28cm

This print and information therein are proprietary to Bestar Electronics Industry Co., Ltd. and shall not be used in whole or in part without its written content

DIS.		DATE		Page:4 of 4	BDT-2308
CHEC.		DATE		3rd angle projection	Transducer
APPR.		DATE			
 BESTAR ELECTRONICS INDUSTRY CO.,LTD TianAn Industry Park 4/F,Site B ChangZhou New District E-Mail:bestarco@ pub.cz.jsinfo.net Http:www.be-star.com				DRG NO BS/TET01.061A	