

FLASH XENON BEACON

Customer	
Customer P/O	
Bestar Model Name	BBL-12DC/1W
Product No.	230110
Issue No.	BS/TEA01.035A
Issue Date	02/12/08

Approval:

- 1.Technical Terms
- 2.Reliability test
- 3.Drawing
- 4.Packing



BESTAR ELECTRONICS INDUSTRY CO.,LTD
TianAn Industry Park4/F,Site B ChangZhou New District
Tel:86-519-5103228
Fax:86-519-5131010
E-Mail:wu@be-star.com
Http:www.be-star.com

BBL-12VDC/1W

Flash xenon beacon



1. Technical Terms

No.	Item	Specifications
1-1	Rated Voltage	DC12V
1-2	Lens' Color	Red,Blue,Green,Amber,Clear
1-3	Flash Rate	100-140t/Min
1-4	Xenon Lamp Power	1W
1-5	Current Consumption	Max.150mA
1-6	Weight	115g
1-7	Operation Temperature	-20° C...+70° C
1-8	Storage Temperature	-30° C...+80° C

2. Reliability Test

2.1 High temperature test

Temperature +70° C± 2
Duration 96hrs

2.2 Low temperature test

Temperature -20° C± 2
Duration 96hrs

2.3 Moisture Test

Temperature +40° C± 2
Humidity 90-95 %RH
Duration 48hrs

After each test, all electrical characteristics should be satisfied with specification.

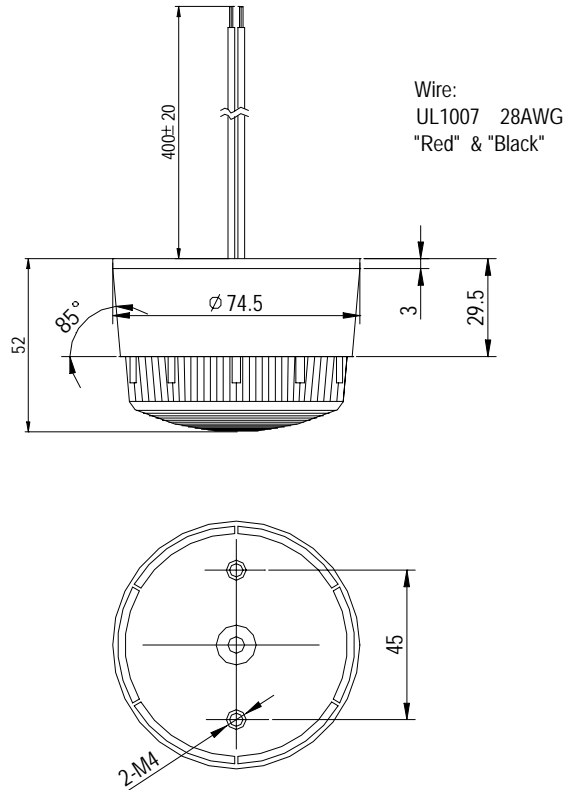
DIS.		DATE		Page:1 of 3 3rd angle projection	BBL - 12VDC/1W
CHEC.		DATE			Beacon
APPR.		DATE			DRG NO BS/TEA01.035A
 BESTAR ELECTRONICS INDUSTRY CO.,LTD TianAn Industry Park 4/F,Site B ChangZhou New District E-Mail:bestarco@ pub.cz.jsinfo.net Http:www.be-star.com					

This print and information therein are proprietary to Bestar Electronics Industry Co., Ltd. and shall not be used in whole or in part without its written content

BBL-12VDC/1W

Flash xenon beacon

3. Drawing



This print and information therein are proprietary to Bestar Electronics Industry Co., Ltd. and shall not be used in whole or in part without its written content

DIS.		DATE		Page:2 of 3	BBL-12VDC/1W
CHEC.		DATE		3rd angle projection	Beacon
APPR.		DATE			
 BESTAR ELECTRONICS INDUSTRY CO.,LTD TianAn Industry Park 4/F,Site B ChangZhou New District E-Mail:bestarco@ pub.cz.jsinfo.net Http:www.be-star.com					DRG NO BS/TEA01.035A

BBL-12VDC/1W

Flash xenon beacon

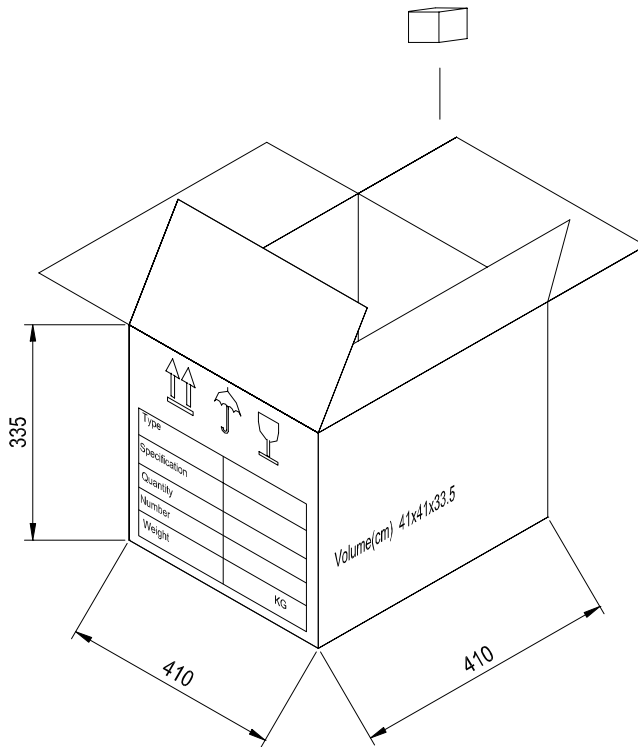
4 Packing

4.1 Packing quantity: 1 pcs per small box

Total 100 pcs per carton, 13.3 kg/carton

Carton Size: 56x37x33.5 (cm)

4.2 Packing Drawing



This print and information therein are proprietary to Bestar Electronics Industry Co., Ltd. and shall not be used in whole or in part without its written content

DIS.		DATE		Page:3 of 3 3rd angle projection	BBL-12VDC/1W
CHEC.		DATE			Beacon
APPR.		DATE			DRG NO BS/TEA01.035A
 BESTAR ELECTRONICS INDUSTRY CO., LTD TianAn Industry Park 4/F, Site B ChangZhou New District E-Mail: bestarco@pub.cz.jsinfo.net Http: www.be-star.com					